

FEATURES

- All SS measuring system
- Socket-case, direct welded
- Threaded / Flanged connection
- External zero adjustment

APPLICATION

- Liquid & gaseous mediums
- Corrosive environments
- Oil & Gas applications
- Chemical & Petrochemical
- Food & Beverages

Diaphragm



STANDARD PARAMETERS

Accuracy	: CL 1.6
Ambient temperature	: -40...+65°C
Service temperature	: 100°C max.
Pressure limits	: Steady pressure up to FS value : Fluctuating pressure up to 90% of FS value
Weld joint	: TIG argon arc welding

MATERIAL OF CONSTRUCTION

Sensing element	: Diaphragm
Case & Ring material	: AISI 304 SS (Bayonet type)
Diaphragm	: AISI 316 SS
Shank	: AISI 316L SS (Welded directly to case)
Movement mechanism	: AISI 304 SS
Dial	: Aluminum, black graduation on white background
Pointer	: Micro-adjustable, aluminum, black powder coated
Gaskets, Blow off disc & filling plug	: Neoprene / NBR
Window	: Sheet glass

STANDARD SPECIFICATIONS

Dial size	: DN100 / DN150
Range	: -1...0...25 bar (type 1) : 60...600 mbar (type 2) : 6...40 mbar (type 3)
Mounting pattern	: Direct, Bottom connection
Process connection	: 1/2" NPT (M) / 1/2" BSP (M)
Ingress protection	: IP 54
Execution	: Dry

STANDARD SPECIFICATIONS : DAMPENING LIQUID FILLED, GLYCERIN

Window	: Safety glass
Dampening liquid	: Glycerin 99.7% [Service temperature up to 65°C]

TEMPERATURE EFFECT

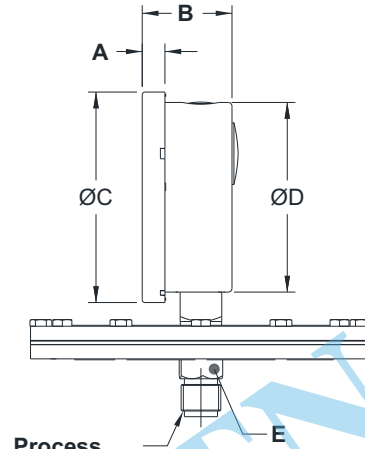
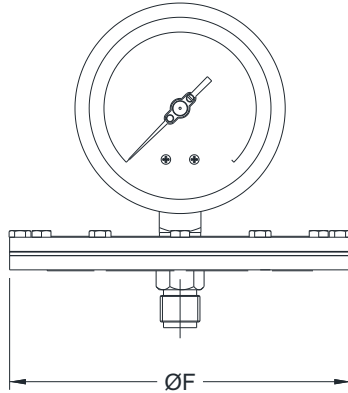
When temperature of the measuring system deviates from reference temperature (+20°C) max error $\pm 0.4\%$ / 10K of true scale value.

REFERENCE

EN 837-3

DIMENSIONAL DRAWING

Type B0

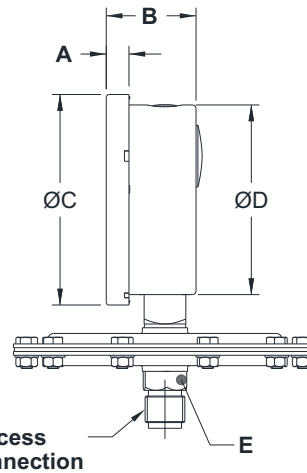
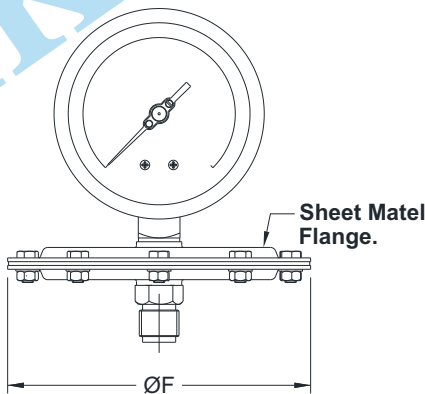


Range	DN	A	B	ØC	ØD	E	ØF	Weight (grams)
1 to 25 bar	100	12	48	111	100	A/F-22	98	1551
	150	15	48	161	149	A/F-22	98	1945

Range	DN	A	B	ØC	ØD	E	ØF	Weight (grams)
40 mbar to 600 mbar	100	12	48	111	100	A/F-22	150	2235
	150	15	48	161	149	A/F-22	150	2629

Range	DN	A	B	ØC	ØD	E	ØF	Weight (grams)
Below 40 mbar to 6 mbar	100	12	48	111	100	A/F-22	180	2914
	150	15	48	161	149	A/F-22	180	3308

Type B0



Range	DN	A	B	ØC	ØD	E	ØF	Weight (grams)
1 to 25 bar	100	12	48	111	100	A/F-22	98	810
	150	15	48	161	149	A/F-22	98	1204

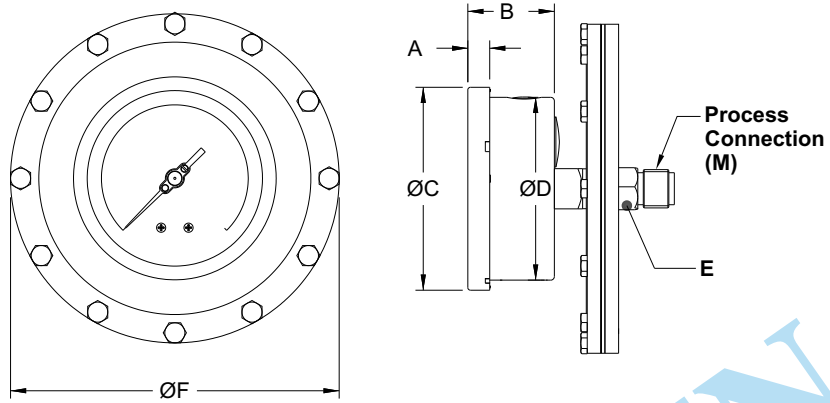
Range	DN	A	B	ØC	ØD	E	ØF	Weight (grams)
40 mbar to 600 mbar	100	12	48	111	100	A/F-22	160	1583
	150	15	48	161	149	A/F-22	160	1977

Range	DN	A	B	ØC	ØD	E	ØF	Weight (grams)
Below 40 mbar to 6 mbar	100	12	48	111	100	A/F-22	180	1416
	150	15	48	161	149	A/F-22	180	1810

All dimensions are in mm.

DIMENSIONAL DRAWING

Type R0

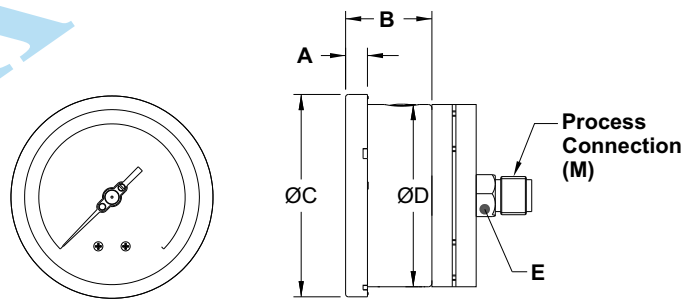


Range	DN	A	B	ØC	ØD	E	ØF	Weight (grams)
1 to 25 bar	100	12	48	111	100	A/F-22	98	1551
	150	15	48	161	149	A/F-22	98	1945

Range	DN	A	B	ØC	ØD	E	ØF	Weight (grams)
40 mbar to 600 mbar	100	12	48	111	100	A/F-22	150	2235
	150	15	48	161	149	A/F-22	150	2629

Range	DN	A	B	ØC	ØD	E	ØF	Weight (grams)
Below 40 mbar to 6 mbar	100	12	48	111	100	A/F-22	180	2914
	150	15	48	161	149	A/F-22	180	3308

Type R0 Compact Version



Range	DN	A	B	ØC	ØD	E	Weight (grams)
-1 to 25 bar	100	12	48	111	100	A/F-22	810
	150	15	48	161	149	A/F-22	1204

ORDERING CODES

1. DIAL SIZE

- 04** 100 mm / 4"
- 06** 150 mm / 6"

04

2. RANGE

- XXX** Refer "Range Table"

XXX

3. MOUNTING PATTERN

- B0** Direct, Bottom connection
- B2** 2" Pipe/Yoke mounting, Bottom connection
- R0** Direct, Center back connection

B0

4. PROCESS CONNECTION

- 13B** 3/8" BSP (M)
- 14B** 1/2" BSP (M)
- 14M** M20 X 1.5 mm (M)
- 14N** 1/2" NPT (M)
- A31** 2" RF 150# as per ANSI B 16.5
- A43** 3" RF 150# as per ANSI B 16.5
- A49** 4" RF 150# as per ANSI B 16.5
- A32** 2" RF 300# as per ANSI B 16.5
- A44** 3" RF 300# as per ANSI B 16.5
- A50** 4" RF 300# as per ANSI B 16.5

14N

5. INGRESS PROTECTION

- EV** IP 54
- ER** IP 65

EV

6. EXECUTION

- EA** Dry²
- EG** Dampening liquid filled, glycerine
- EH** Dampening liquid filled, silicon oil³

EA

7. OTHER OPTIONS

- BA** Case & Ring in AISI 316 SS (B0)
- BC** Case & Ring in AISI 316 SS (B2)
- BG** Case & Ring in AISI 316 SS (R0)
- EN** Dampening screw, AISI 316 SS
- E8** Eco version
- GB** Plexi glass
- GC** Shatterproof safety glass
- GL** AISI 316 SS movement
- GZ** External zero adjustment
- RA** Rubber parts, Viton
- RW** Vent plug, ON-OFF type
- TA** 5 - point calibration certificate
- TC** Material test certificate 3.1
- TM** Material test certificate 2.2
- TO** Certification for Oxygen service
- XF** SS tag plate, AISI 304 SS
- XG** SS tag plate, AISI 316 SS
- XR** Custom designed dial
- XT** Dial tag marking

BA

Rev 01

Ordering Example : P602-04-XXX-B0-14N-EV-EA

NOTES

1. For other connections, please contact factory.
2. Available with Ingress Protection IP54 (Dust proof).
3. Rubber parts shall Viton.